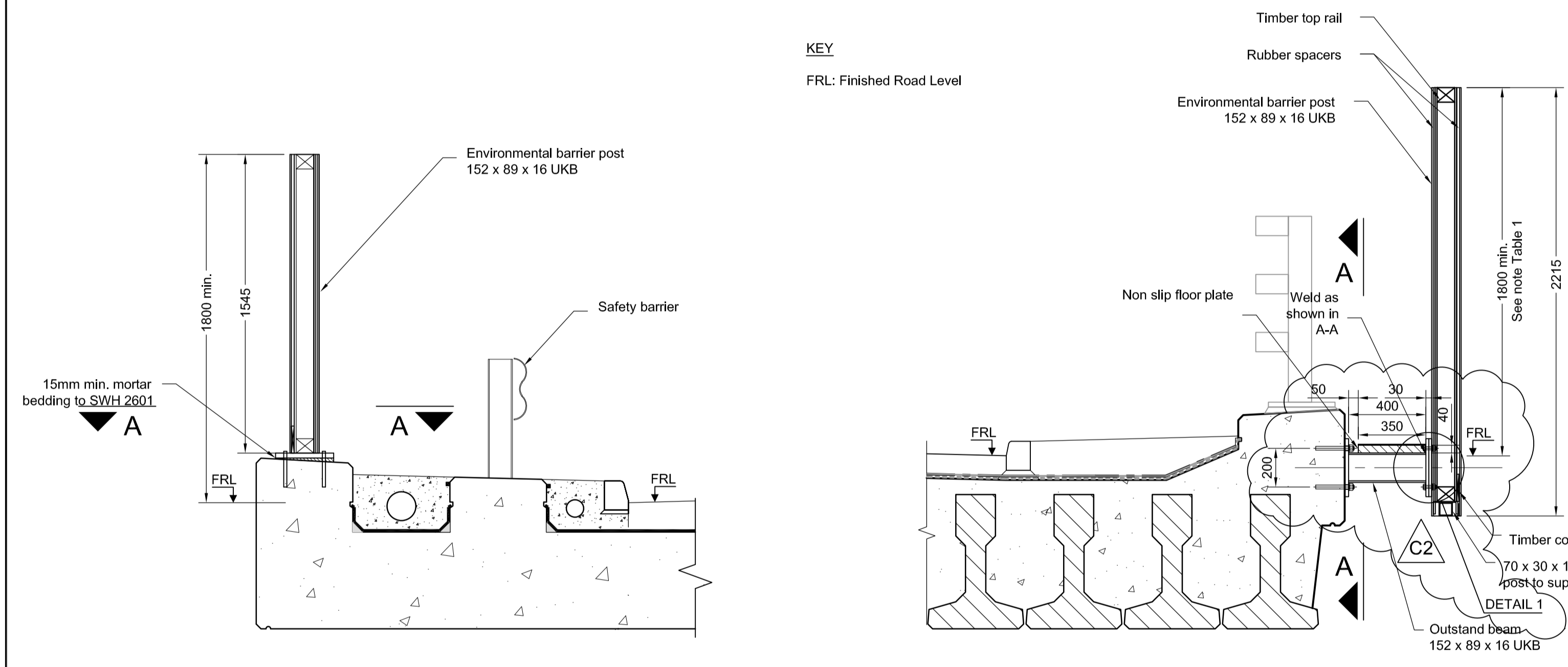
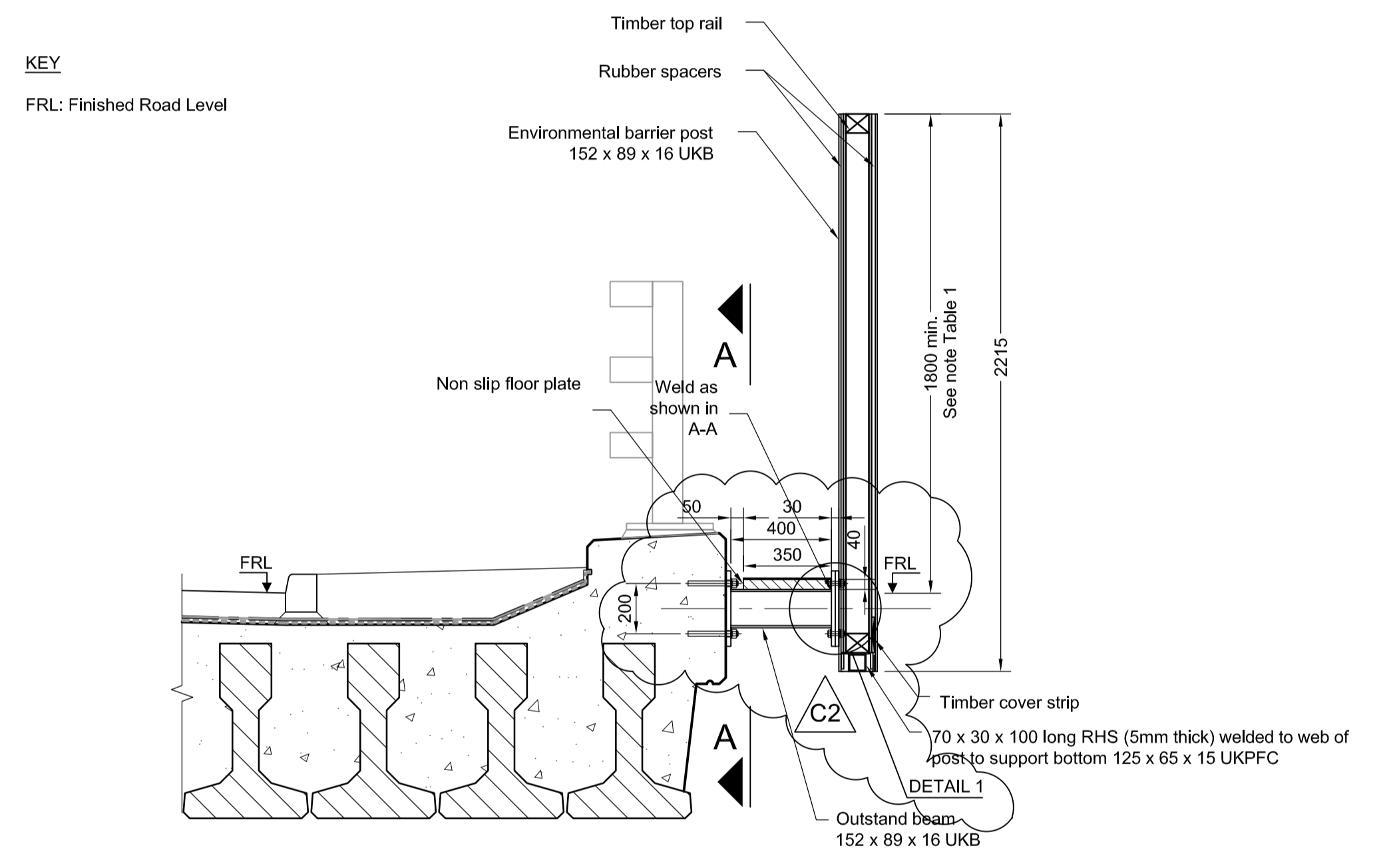


TYPICAL ELEVATION OF SIDE MOUNTED ENVIRONMENTAL BARRIER
 SCALE 1:50

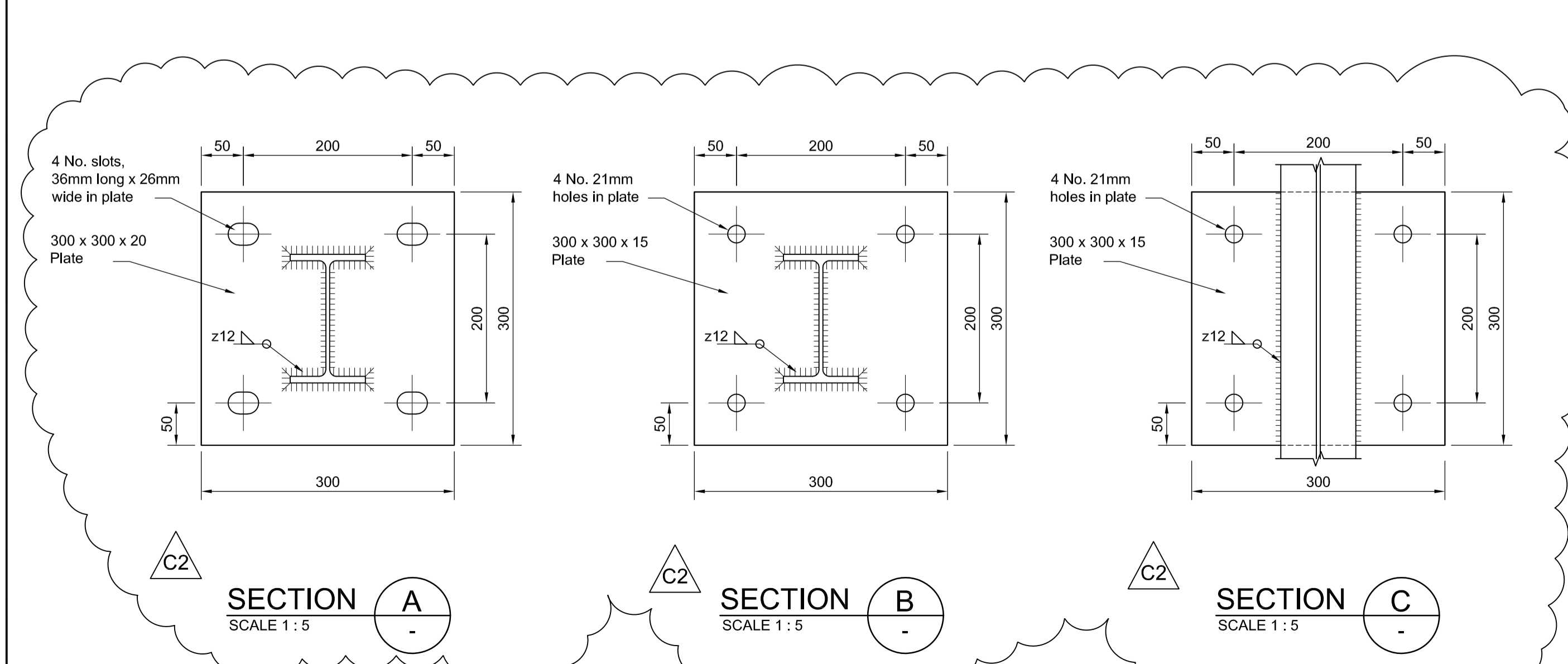
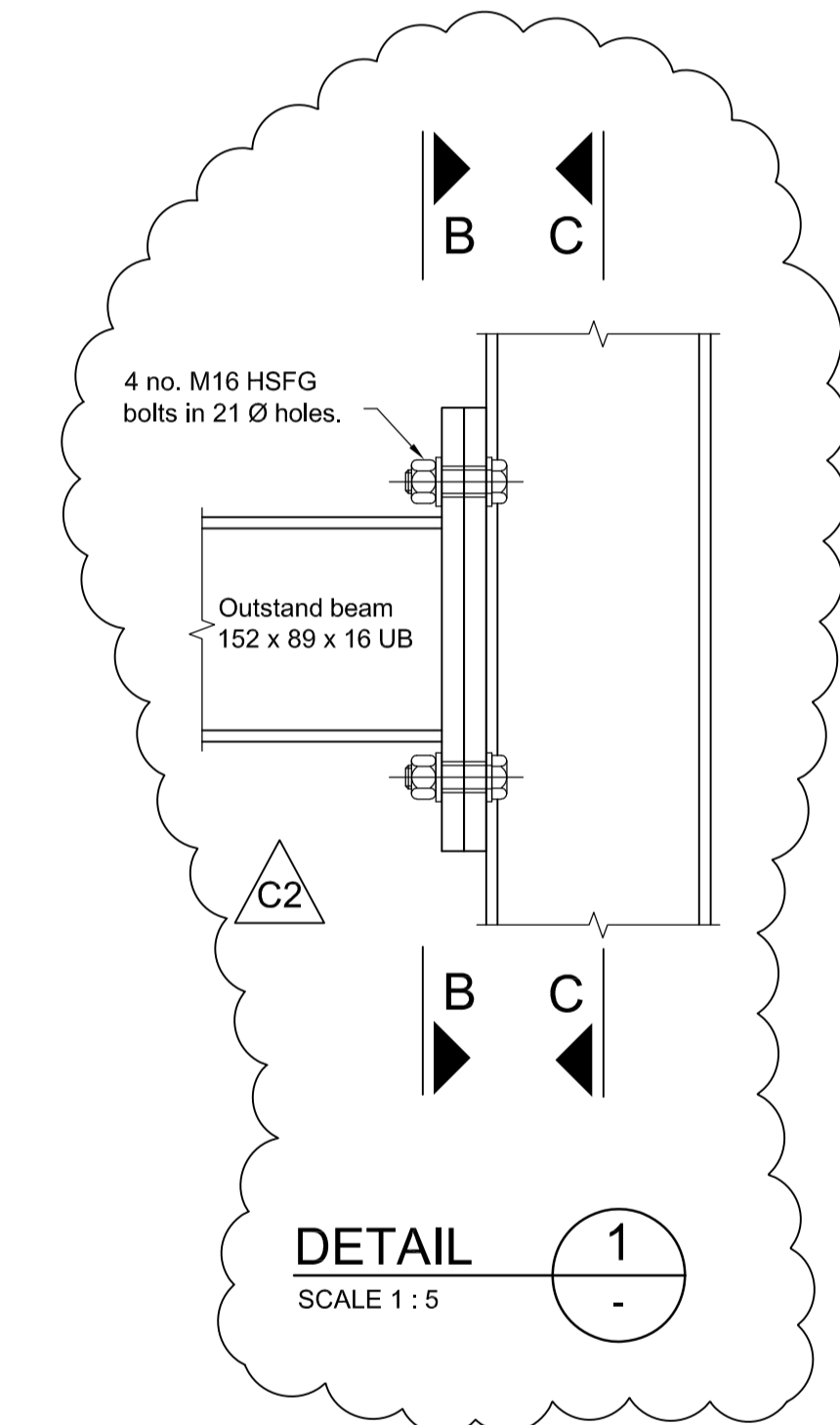
- NOTES**
- All dimensions in millimetres unless otherwise specified.
 - All levels in metres AOD (Above Ordnance Datum - Newlyn). All chainages in metres.
 - Steel section sizes to be confirmed by Environmental Barrier supplier.
 - Refer to drawing B129700-PH2/1600.01a/9903 for S14 environmental barrier details and drawing B129700-PH2/1600.01a/9906 for S12 environmental barrier details.
 - Barrier anchorage system to be SSR-170 cradle anchors with M20 Class A4-80 stainless steel bolt sets or other approved cast-in or drilled anchorage system. M20 Nylon top hat washers to be provided.
 - All steel to be S275J2 to BS EN 10025:2004 and painted in accordance with clause 2504.12 of the Specification for Highways Works.
 - Open mesh floor to be galvanised mild steel with galvanised diamond patterned cover plate, clipped to the top flange of the outstand beams. Floor panels to be 350mm wide and length to suit post spacing (2400mm over bridge deck and wingwalls). Floor to be adequate for light industrial use: Live Loading - 3kN/m².
 - All base plates to be attached at the centre of parapet copings, except structures S15 and S16 where the base plates are to be attached 150mm from the top of the parapet copings.
 - Refer to drawings B1297000-PH2/1600.01a/9903, 9904, 9905, 9906 for further Environmental Barrier details.
 - Metal N2/W1 parapets assumed to be Varley and Gulliver VGSN 1000 series.
 - Timber panels can be lifted out of the environmental barrier posts to facilitate inspection works.
 - Environmental Barrier steelwork details are indicative and to be confirmed by Environmental Barrier supplier.



TYPICAL SECTION THROUGH TOP MOUNTED ENVIRONMENTAL BARRIER SUPPORT
 SCALE 1:20



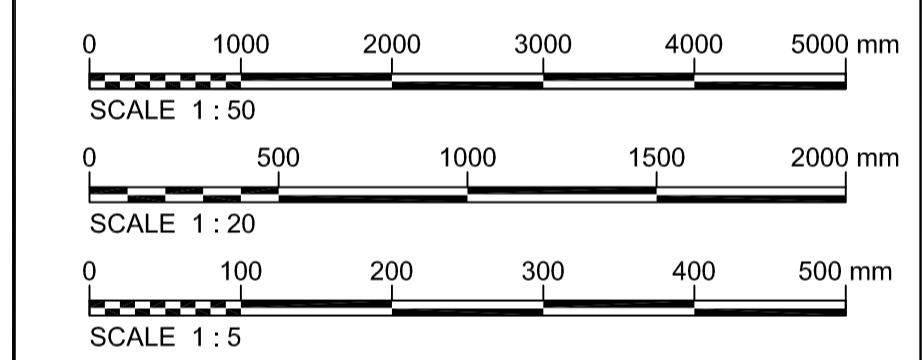
TYPICAL SECTION THROUGH SIDE MOUNTED ENVIRONMENTAL BARRIER SUPPORT
 SCALE 1:20



| Structure | Environmental Barrier | | | | Parapet |
|-----------|---|------------------|--|---------------------------------|---|
| | Location | Height above FRL | Length of coping requiring Environmental Barrier | Required no. posts on structure | |
| S01 | Surface mounted on east and west underpass copings | 1.8m | 10.0m | 4 | none (BHLR safety barrier continued over the structure) |
| S07 | Side mounted on east and west bridge and wingwall copings | 1.8m | 60.0m | 25 | N2/W1 metal with mesh infill, 1.0m |
| S09 | Side mounted on north and south bridge and wingwall copings | 1.8m | 66.5m | 28 | N2/W1 metal with mesh infill, 1.0m |
| S14 | Side mounted on south bridge and wingwall copings | 1.8m | 48.0m | 20 | N2/W1 metal with mesh infill, 1.0m |
| S15 | Side mounted on north bridge and wingwall copings | 1.5m | 50.0m | 20 | N2/W1 metal with mesh infill, 1.0m |
| S16 | Side mounted on north wingwall copings | 1.5m | 30.0m | 13 | H4a in-situ RC parapet, 1.8m |

Table 1: Environmental Barrier Details

| SAFETY, HEALTH AND ENVIRONMENTAL INFORMATION | |
|--|------|
| In addition to the hazards/risks normally associated with the types of work detailed on this drawing, note the following: | |
| CONSTRUCTION | None |
| MAINTENANCE / CLEANING | None |
| DECOMMISSIONING / DEMOLITION | None |
| It is assumed that all works will be carried out by a competent contractor working, where appropriate, to an approved method statement | |



| Rev | Rev. Date | Purpose of revision | Drawn | Checked | Rev'd | Appr'd |
|-----|-----------|-----------------------------|-------|---------|-------|--------|
| C2 | 19/01/15 | STEELWORK DETAILING AMENDED | GA | PB | PB | JP |
| C1 | 24/09/14 | ISSUED FOR CONSTRUCTION | GA | PGO | PGO | JP |
| C0 | 28/06/13 | ISSUED FOR CONSTRUCTION | HN | PGO | PB | RRD |
| R0 | 11/03/13 | For Review | GA | PGO | PB | RRD |

JACOBS
 Simpson House, 8 Cherry Orchard Road, Croydon, Surrey, CR9 6BE
 Tel: +44(0)208 666 8212 Fax: +44(0) 208 681 2499
 www.jacobs.com

Client: HOCHTIEF (ING CONSTRUCTION), TAYLOR WOODROW, Ecot Sussex Quality Group, ecotssussex.gov.uk

Project: **BEXHILL TO HASTINGS LINK ROAD**

Drawing title: **BEXHILL TO HASTINGS LINK ROAD ENVIRONMENTAL BARRIERS (SHEET 1 OF 4)**

Drawing status: **FOR CONSTRUCTION**

Scale: @ DO NOT SCALE
 Jacobs No. B1297000
 Client no.
 Drawing number: **B1297000/PH2/1600.01A/9902** Rev: **C2**

This drawing is not to be used in whole or part other than for the intended purpose and project as defined on this drawing. Refer to the contract for full terms and conditions.